

# GLYPH

Founder's Edition

Quick Start Guide, Health & Safety and Warranty Information

Rev 2.4



# TABLE OF CONTENTS

- 1 Welcome to the Glyph Experience
- 2 Getting to Know Your Glyph
- 6 Fitting and Adjustment
- 9 Connecting to Media
- 9 Support
- 11 Health and Safety Information
- 15 Regulatory Statements
- 16 Intellectual Property
- 16 Warranty Information

# WELCOME TO THE GLYPH EXPERIENCE

In this guide we'll walk you through the basics of fitting, optical adjustment and media setup.

Before you begin, please:



Read the full Quick Start Guide including Safety and Warranty Information.



Download the Avegant App at [avegant.com/app](http://avegant.com/app) and register your device.



Familiarize yourself with the Glyph layout and select a comfortable nosepad.



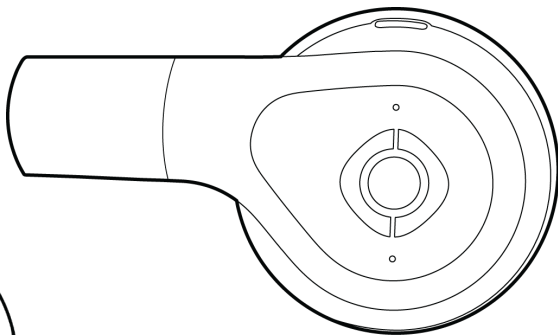
Ensure that your product is fully charged. Connect the Glyph to a USB charger with the supplied cable for at least four hours.

# GETTING TO KNOW YOUR GLYPH

Audio Mode

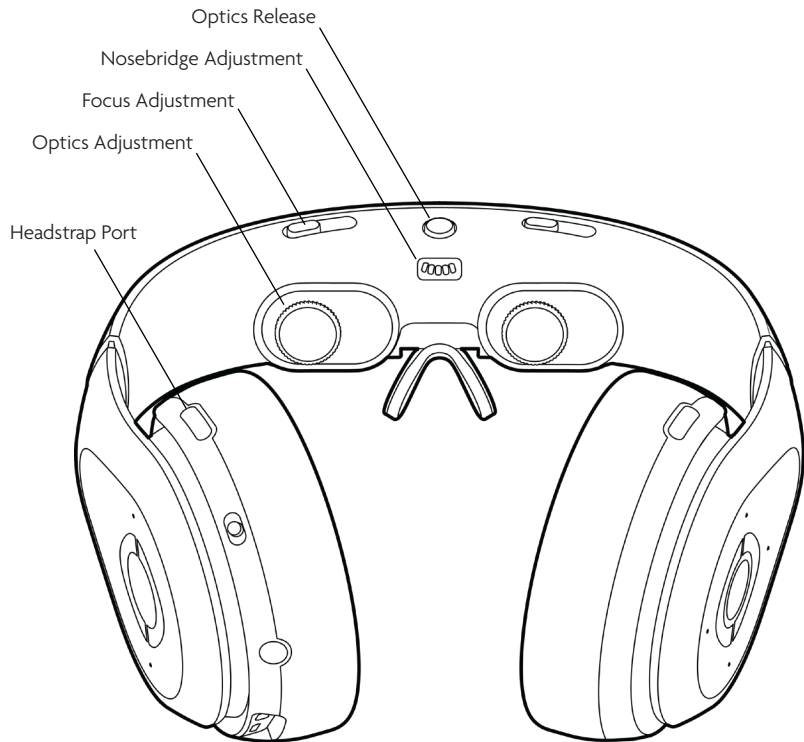


Video Mode



Select a proper nosepiece before transitioning between audio and video experiences!

# GETTING TO KNOW YOUR GLYPH

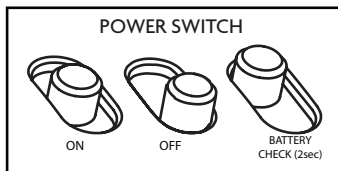
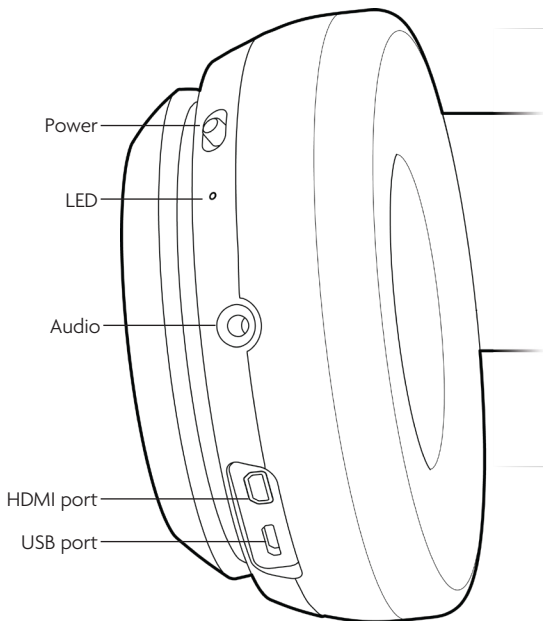


# GETTING TO KNOW YOUR GLYPH

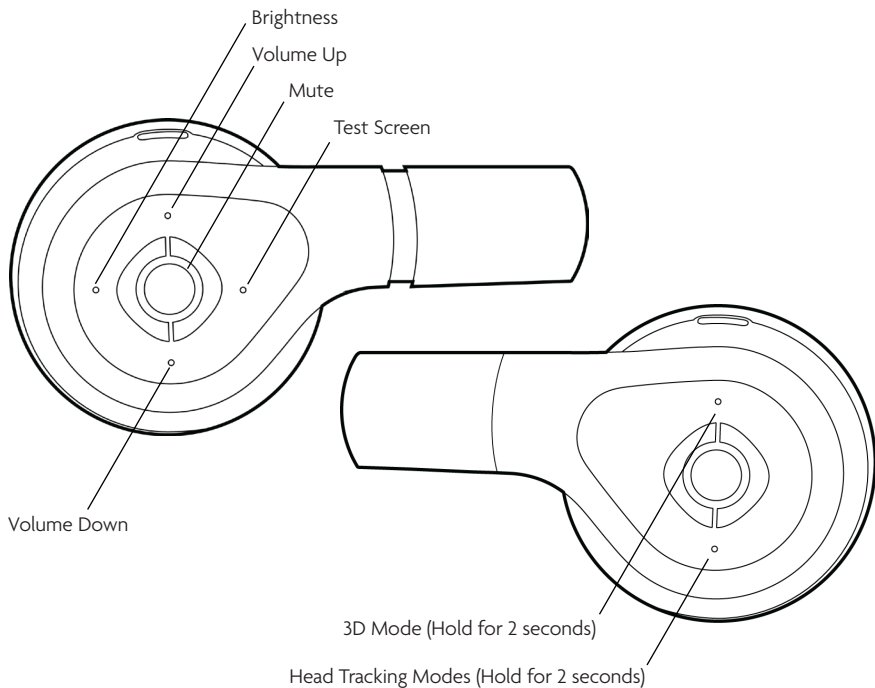
LED COLOR	GLYPH STATE
Blue Blinking	Bluetooth On
Red	Firmware Fault
Rainbow	Booting

BATTERY CHECK	
Power remaining	LED Color
> 80%	Green
20% - 80%	Yellow
< 20%	Red

\*While charging, the LED will blink to the corresponding amount of battery remaining.



# GETTING TO KNOW YOUR GLYPH





# FITTING AND ADJUSTMENT

Each user will find a unique combination of optical, headband and nosepad settings that is comfortable for long term use. Ensure that you have found a comfortable fit before settling into your Glyph experience.

To wear the Glyph Founder's Edition in video mode keep the unit horizontal, carefully spread the ear cans apart and bring the optics towards your eyes until the nosepad rests comfortably at the peak of your nosebridge.

Turn the unit on and press the forward Test Screen button to help with alignment, or consult the app or website for further help.

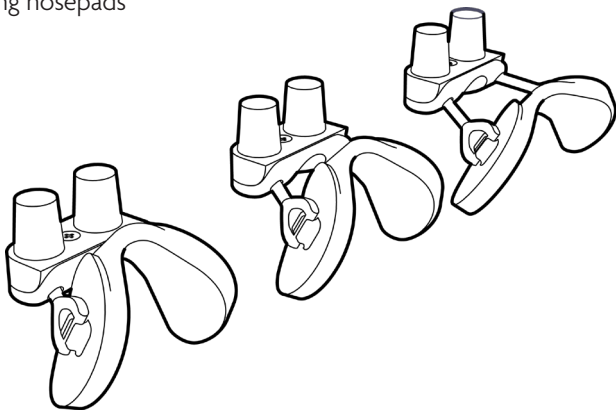
Tips for a comfortable fit:

- In Video mode, Glyph should fit snugly over your ears and the nosepad should rest high on your nose.
- The optics should be close to your eyes and should squarely project onto them. Telescope the headband and adjust the nosepad height sequentially to find a comfortable medium.
- The headstrap may be used to further improve long term comfort.
- In Audio mode, ensure that the proper nosepad is in place and that the lens cover is installed before use.

# FITTING AND ADJUSTMENT: NOSEPAD

An optimal experience requires proper, careful alignment of the optics and nosepad.

- The magnetic nosepad can be removed by pulling the assembly straight down, away from the headband.
- Each nosepad is designed for a different facial structure. Take time to try multiple nosepads and heights to find the best fit for you. The image should be square and comfortably convergent in front of your eyes.
- In video mode, the nosepad height can be adjusted by rotating the center wheel.
- Prior to wearing the Glyph Founder's Edition in audio mode, remove any protruding nosepads

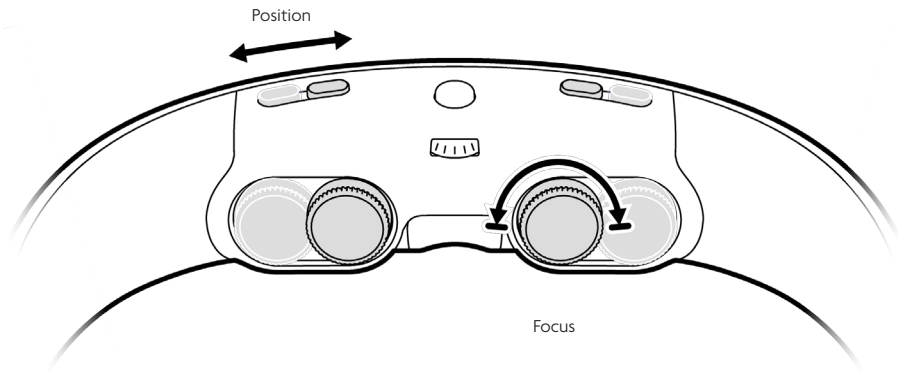


# FITTING AND ADJUSTMENT: OPTICS

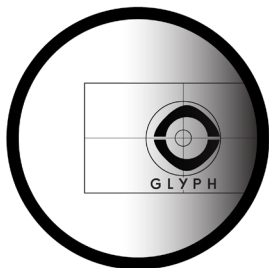
The in-Glyph optical experience should be bright and sharp from corner to corner without any blurriness across the image. Adjust the interpupillary distance and focus of each eye respectively to find the best image that works for you.

While wearing the Glyph Founder's Edition:

- Position each eye such that the two images converge into one single screen with square corners on the left and right sides.
- Focus each respective eye by rotating the lens. It may help to close one eye and focus each lens respectively



# FITTING AND ADJUSTMENTS: OPTICS



Adjust each eye (above) such that convergent image (below) is centered and clear from corner to corner.



# CONNECTING MEDIA

To play **video** content, plug an HDMI cable into the blue port at the back of the Glyph Founder's Edition and into a source of your choice.

- Ensure that the source content is formatted at 720p or the playback device outputs a 720p signal.
- To toggle 3D mode, hold down the upper button on the left ear can for two seconds.
- To toggle 360° hold down the lower button on the left ear can for two seconds. Press the button again to cycle through head tracking modes.
- Adjust volume on the Glyph or through your source device.

To play **audio-only** content, plug a 3.5mm cable into the audio jack

- Remove any video nose pads before wearing the Glyph in audio mode.
- Turn the Glyph OFF. Audio can be delivered passively to the Glyph.
- Use cables with small, cylindrical housings to fit in the recessed input jack.
- Adjust volume on your audio playback device.

## SUPPORT

For support and help with troubleshooting, please visit [avegant.com/set-up-support](http://avegant.com/set-up-support)

# HEALTH AND SAFETY GUIDE

This health and safety guide contains important safety and handling information for your Glyph Founders Edition. **Please read all safety information below before using your Glyph.** Read and follow all setup and operating instructions to become familiar with the features of the product. For more information and additional support, please visit the main [www.avegant.com](http://www.avegant.com) support page.



Failure to follow safety instructions preceded by the word “Warning” could result in serious physical injury.  
Failure to follow safety instructions preceded by “Caution” or “Notice” could result in minor to moderate injury or damage to equipment or other property.

## General Health and Safety Information

Extended use of your Glyph Founders Edition may result in losing track of your immediate surroundings or becoming used to the non-standard physical “rules” of a virtual environment, causing discomfort, disorientation or loss of balance when you take it off. To avoid risk of injury from falling or tripping:

1. Be sure to begin your enjoyment of the Glyph in small stages, building up to longer continued use.
2. Use only while sitting or while standing in a clear area free of obstacles
3. Do not use while intoxicated

The Glyph Founders Edition is NOT a toy and should not be used by children 13 years of age or younger. Young children are at an increased health and safety risk. Adults should monitor children (age 14 and older) who are using or have used the Glyph for any of the symptoms described below and should limit the time children spend using the Glyph and ensure that they take breaks during use.

**Warning** Some people (about 1 in 4,000) may have severe dizziness, seizures, epileptic seizures or blackouts triggered by light flashes or patterns. This may occur while they are watching TV, playing video games or experiencing a personal display technology, even if they have never had a seizure or blackout before or have no history of seizures or epilepsy. Such seizures are more common in children and young people under the age of 20. Anyone who has had a seizure, loss of awareness or other symptom linked to an epileptic condition should consult with a doctor before using the Glyph Founder’s Edition.

**Prop 65 Warning.** This product contains chemicals known to the State of California to cause cancer and birth defects or other reproductive harm. (California law requires this warning to be given to customers in the State of California.)

## Specific Warnings and Precautions

“Video mode” shall herein refer to the Glyph Founder’s Edition as operating with the headband over the user’s eyes. “Audio mode” shall herein refer to the Glyph Founder’s Edition as operating with the headband over the crown of the user’s head with no obstruction to the user’s vision.

- **Warning.** Use only in a safe environment. In Video mode, the Glyph Founder’s Edition produces a personal display experience that distracts you from and blocks your view of your actual surroundings. For the safest experience, always remain seated when using the Glyph Founder’s Edition in Video mode. Take special care to ensure that you are not near other people, objects, stairs, balconies, windows, furniture or other items that you can bump into or knock down when using – or immediately after using – the Glyph Founder’s Edition in Video mode. Do not handle sharp or otherwise dangerous objects while using the Glyph Founder’s Edition in Video mode. Never wear the Glyph Founder’s edition in Audio mode or Video mode in situations that require attention, such as walking, bicycling or operating a motor vehicle or heavy machinery.

- Warning. Listening to sound at high volumes can cause irreparable damage to your hearing. Background noise, as well as continued exposure to high volume levels, can make sounds seem quieter than they actually are. Due to the immersive nature of the image created by the Glyph Founder's Edition, do not use the device with the sound at high volume so that you can maintain awareness of your surroundings and reduce the risk of hearing damage.
- **Warning.** Stop using the Glyph Founder's Edition if it seems to be hot. Prolonged contact with an overheated device can cause burns.
- **Warning.** The Glyph Founder's Edition can emit radio waves that can affect the operation of nearby electronics, including cardiac pacemakers. If you have a pacemaker or other implanted medical device, do not use the Glyph Founder's Edition without first consulting your doctor or the manufacturer of your medical device.
- Make sure the Glyph Founder's Edition is level and secured comfortably on your head and that you see a single, clear image.
- Ensure that the optics are properly and squarely aligned in front of the user's eyes before use and that the image is in focus. Refer to the quick start guide for proper fitting.
- **Caution.** Ensure that the cables utilized while operating the Glyph Founder's Edition are carefully routed to and from the source content such that they do not become tangled and cause injury to the user or damage to the device.
- **Caution.** Do not use the Glyph Founder's Edition when you are tired, need sleep, are under the influence of alcohol or drugs, are hungover, have digestive problems, are under emotional stress or anxiety or when suffering from cold, flu, headaches, migraines or earaches, as this can increase your susceptibility to adverse symptoms.
- **Caution.** If you are using the Glyph Founder's Edition as a passenger in a motor vehicle and feel dizziness or nausea, discontinue use.
- **Caution.** Take at least a 10 to 15 minute break every 30 minutes, even if you don't think you need it. Each person is different, so take more frequent and longer breaks if you feel discomfort. You should decide what works best.
- Ease into the use of the Glyph Founder's Edition to allow your body to adjust; use for only a few minutes at a time at first and only increase the amount of time using the Glyph Founder's Edition gradually as you grow accustomed to a personal display. Looking around the image when first entering a personal display environment can help you adjust to any small differences between your real world movements and the resulting virtual experience.
- The Glyph Founder's Edition can be affected by magnetic interference created by items, such as computers, TVs or electric cables. Avoid using the Glyph Founder's Edition in areas affected by magnetic interference.

## Extended Use Precautions

- **Warning.** Immediately discontinue use if anyone using the Glyph Founder's Edition experiences any of the following symptoms: seizures; loss of awareness; eye strain; eye or muscle twitching; involuntary movements; altered, blurred or double vision or other visual abnormalities; dizziness; disorientation; impaired balance; impaired hand-eye coordination; excessive sweating; increased salivation; nausea; lightheadedness; discomfort or pain in the head or eyes; drowsiness; fatigue; or any symptoms similar to motion sickness.
- Just as with the symptoms people can experience after they disembark a cruise ship, symptoms of immersive, personal media exposure can persist and become more apparent hours after use. These post-use symptoms can include the symptoms above as well as excessive drowsiness and decreased ability to multi-task. These symptoms may put you at an increased risk of injury when engaging in normal activities in the real world.
- Do not drive, operate machinery or engage in other visually or physically demanding activities that have potentially serious consequences (i.e., activities in which experiencing any symptoms could lead to death, personal injury or damage to property), or other activities that require unimpaired balance and hand-eye coordination (such as playing sports or riding a bicycle, etc.) until you have fully recovered from any symptoms.

- Do not use the Glyph Founder's Edition until all symptoms have completely subsided for several hours. Make sure you have a properly configured Glyph Founder's Edition before resuming use.
- Be mindful of the type of content that you were using prior to the onset of any symptoms because you may be more prone to symptoms based on the content being used.
- Consult with a doctor if you have serious and/or persistent symptoms.

## Multicopter Use

**Warning.** While the Glyph Founder's Edition is designed and intended for use as a way to experience the aerial views taken by a camera mounted to a multicopter (a/k/a "drone," "Unmanned Aerial Vehicle" or "UAV"), **it is not meant for use by, nor should it be used by, a single user who is simultaneously operating the multicopter.** Doing so is both unsafe and a violation of FAA regulations. Please read and become familiar with all instructions and safety guidelines for your multicopter before using. Using your Glyph Founder's Edition with a multicopter in any way that is unsafe, illegal or in violation of state, federal, or local laws or regulations is prohibited.

## Battery and Power Adapter Information and Care

**Warning.** This product contains a lithium ion polymer battery. To reduce the risk of fire, electric shock or burn related injuries, the batteries must be handled properly.

- Do not attempt to remove the battery, as you may damage the device.
- Charge your device with any USB-compatible charger. Charger plug type may vary.
- The battery can be charged and discharged hundreds of times, but it will eventually wear out. When the operating times are noticeably shorter than normal, contact support to arrange replacement or repair.
- To reduce risk of fire or burns, do not disassemble, crush, puncture, short external contacts or circuits, expose to temperature above 60°C (140°F) or dispose of in fire or water. Recycle or dispose of used batteries according to the local regulations or reference guide supplied with your product.
- Charging temperature range is regulated between 0°/32°F and 45°C/113°F. Do not charge the battery out of recommended temperature range. Charging out of recommended range might cause heat generation or serious damage to the battery, as well as causing the deterioration of its characteristics and cycle life.
- Always unplug the charger from the wall socket after the Glyph Founder's Edition is fully charged to save unnecessary power consumption of the charger.
- Do not damage the power cord by bending, twisting or heating. Do not use the plug if it is loose as it may cause electric shock or fire.
- Do not place any heavy items on the power cord. Do not allow the power cord to be crimped as it may cause electric shock or fire.
- Unplug the power cord and power down your Glyph Founder's Edition prior to cleaning, and clean only with a dry cloth. When using the power plug, ensure that it's firmly connected. If not, it may cause excessive heat or fire. Only put your Glyph Founder's Edition in a pocket or bag without covering the receptacle of the device, metallic articles (such as a coin, paperclip or pen) may short-circuit the device. Always cover the receptacle when not in use.
- Do not use or leave the battery under the blazing sun, like in a sealed vehicle. The battery may generate heat, smoke or flame and may also deteriorate in characteristic and cycle life.
- The battery pack has a protection circuit to avoid danger. Do not the Glyph Founder's Edition near places that generate static electricity of more than 100V, which gives damage to the protection circuit. If the protection circuit were broken, the battery would generate smoke, rupture or flame.
- If the skin or cloth is smeared with liquid from the battery, wash with fresh water. It may cause the skin inflammation.
- Do not handle the Glyph Founder's Edition with wet hands or otherwise expose it or the power adapter to water or moisture. It may cause an electric shock or seriously damage the device.
- The Glyph Founder's Edition is intended for charging indoors only.
- Do not use the Glyph Founder's Edition if any cable is damaged or any wires are exposed.
- Keep the Glyph Founder's Edition and the power adapter away from open flames and other heat sources.



## Care and Maintenance

The Glyph Founder's Edition is a product of superior design and craftsmanship and should be treated with care. The suggestions below will help you fulfill any warranty obligations and allow you to enjoy this product for many years.

- **Warning.** If the mobile device does get wet, do not accelerate drying with the use of an oven, microwave or dryer, because this may damage the device and could cause a fire or explosion. Do not use the mobile device in very wet conditions. Doing so may cause an electric shock to you or damage to the mobile device. Do not expose the straps to very wet conditions. Wet straps can cause skin irritations. Dry the straps first. If you experience skin irritation when wearing the Glyph Founder's Edition, stop wearing the device and consult a physician.
- **Notice.** Do not leave the Glyph Founder's Edition in direct sunlight. Exposure to direct sunlight can damage the Glyph Founder's Edition.
- Keep your Glyph Founder's Edition away from exposure to liquids of any kind. Precipitation, humidity and liquids contain minerals that will corrode electronic circuits.
- Avoid temperatures below -10°C / 14°F or above 40°C / 104°F.
- Do not expose your mobile device to dust, dirt or sand.
- Do not use harsh chemicals, cleaning solvents or strong detergents to clean the Glyph Founder's Edition.
- Although your Glyph Founder's Edition is quite sturdy, it is a complex piece of equipment and can be broken. Avoid dropping, hitting, bending or sitting on it. Rough handling can break internal circuit boards.
- Do not paint the Glyph Founder's Edition. Paint can clog the device's moving parts or ventilation openings and prevent proper operation.
- Ensure that the head strap is kept clean.

Any changes or modifications to your Glyph Founder's Edition not expressly approved by Avegant could void your warranty for this equipment and void your authority to operate this equipment. Only use approved cables and chargers. The use of any unauthorized accessories may be dangerous and void the Glyph Founder's Edition warranty if said accessories cause damage or a defect to the device.

The Glyph Founder's Edition and any connected device should only be used with firmware versions that have been approved for use by the device manufacturer.

# REGULATORY STATEMENTS

## FCC

Warning: Changes or modifications to this unit not expressly approved by the party responsible for compliance could void the user's authority to operate the equipment.

This equipment has been tested and found to comply with the limits for a Class B digital device, pursuant to Part 15 of the FCC Rules. The inbox shielded USB and HDMI cable shall be used to comply with FCC Class B requirements. These limits are designed to provide reasonable protection against harmful interference in a residential installation. This equipment generates, uses and can radiate radio frequency energy and, if not installed and used in accordance with the instructions, may cause harmful interference to radio communications.

However, there is no guarantee that interference will not occur in a particular installation. If this equipment does cause harmful interference to radio or television reception, which can be determined by turning the equipment off and on, the user is encouraged to try to correct the interference by one or more of the following measures:

- Reorient or relocate the receiving antenna.
- Increase the separation between the equipment and receiver.
- Connect the equipment into an outlet on a circuit different from that to which the receiver is connected.
- Consult the dealer or an experienced radio/TV technician for help.

This device complies with Part 15 of the FCC Rules. Operation is subject to the following two conditions: (1) this device may not cause harmful interference and (2) this device must accept any interference received, including interference that may cause undesired operation.

## IC:

This device complies with Industry Canada license-exempt RSS standard(s). Operation is subject to the following two conditions: (1) this device may not cause interference, and (2) this device must accept any interference, including interference that may cause undesired operation of the device.

Le présent appareil est conforme aux CNR d'Industrie Canada applicables aux appareils radio exempts de licence.

L'exploitation est autorisée aux deux conditions suivantes : (1) l'appareil ne doit pas produire de brouillage, et (2) l'utilisateur de l'appareil doit accepter tout brouillage radioélectrique subi, même si le brouillage est susceptible d'en compromettre le fonctionnement.

CAN ICES-3 (B)/NMB-3(B)



## CE

This device is in compliance with the essential requirements and other relevant provisions of directive 1995/5/EC

The symbol above means that according to local laws and regulations your product should be disposed of separately from household waste. When this product reaches its end of life, take it to a collection point designated by local authorities. The separate collection and recycling of your product at the time of disposal will help conserve natural resources and ensure that it is recycled in a manner that protects human health and the environment. For more information about where you can drop off your waste equipment for recycling, please contact your local city office, your household waste disposal service, or the shop where you purchased the product. In the event the device is not working normally due to electrostatic shock, please reset the device by turning off the power and turning it back on.

# INTELLECTUAL PROPERTY

All intellectual Property, as defined below, owned by or which is otherwise the property of Avegant or its respective suppliers relating to the Glyph Founder's Edition, including but not limited to, accessories, parts or software relating thereto (the "device"), is proprietary to Avegant and protected under federal laws, state laws and international treaty provisions. Intellectual Property includes, but is not limited to, inventions (patentable or unpatentable,) patents, trade secrets, copyrights, software, computer programs, and related documentation and other works of authorship. You may not infringe or otherwise violate the rights secured by the Intellectual Property. Moreover, you agree that you will not (and will not attempt to) modify, prepare derivative works of, reverse engineer, decompile, disassemble, or otherwise attempt to create source code from the software. No title to or ownership in the Intellectual Property is transferred to you.

All applicable rights of the Intellectual Property shall remain with Avegant and its suppliers

## WARRANTY GUIDE

Your Products are warranted against defects in materials and workmanship for a period of one (1) year from the date of original retail purchase (if purchased at a retailer) or one (1) year from the date of shipment (if purchased on the Service) ("Warranty Period") when used in accordance with the applicable usage documentation. If a defect arises during the Warranty Period, Avegant will, at its option, (1) repair the affected Product at no charge using new parts or parts that are equivalent to new in performance and reliability, (2) exchange the affected Product with a functionally equivalent Product that is new or formed from new and/or previously used parts that are equivalent to new in performance and reliability or, with your consent, a Product that is at least functionally equivalent to the Product it replaces; or (3) refund the original purchase price for the affected Product. This warranty excludes normal depletion of consumable parts unless failure has occurred due to a defect in materials or workmanship, and damage resulting from abuse, accident, modifications, unauthorized repairs, or other causes that are not defects in materials and workmanship. No other person is authorized to modify this limited warranty.

Some states and countries do not allow limitations on how long such warranties, conditions, and/or implied terms may last, so the limitation described above may not apply to you. This warranty is offered in addition to rights and remedies conveyed by consumer protection laws and regulations that cannot be statutorily waived, and does not affect your applicable statutory rights.

Follow these steps to obtain a replacement for a Product purchased from our Service in accordance with this warranty policy:

1. Contact our Support team to initiate the return process and obtain a Return Material Authorization (RMA) number and a pre-paid shipping label.
2. Pack the Product in its original packaging and mail it in a sturdy box to ensure the product will be returned without damage. Be sure to include the RMA number in the packaging.
3. Once the Product is received and verified, you will receive a confirmation email with the details of your replacement.

A V E G A N T