



A V E G A N T

Founder's Edition

User Manual

Version 1.4

Copyright 2016

Welcome to the Avegant Experience!

Before you Begin

- Read the user manual including the health and safety sections thoroughly
- Download the Avegant app from the Google Play or iTunes store.
- Familiarize yourself with the device layout. Find the right ergonomic and optical fit to suit your experience
- Ensure that your device is fully charged.

For further support including how-to videos, consult avegant.com/set-up-support

Table of Contents

Before you Begin.....	2
Download the App	4
Orientation.....	4
Controls.....	4
Power on, Indicators and Bluetooth.....	5
Charging	6
Setup	7
Ergonomic, Nosepad and Optical Adjustments	7
Tips for Long-Term Comfort in Video Mode	11
Connecting to Media.....	11
Supported 3D Media.....	12
Half Frame Side-by-Side 3D	12
Full Frame Side-by-Side 3D	12
Supported Uses of 360 (Headtracking) Mode	13
Troubleshooting.....	13
Health and Safety Guide	16
Warranty Information.....	21

Download the App

Avegant's mobile app, which walks through the setup process and facilitates firmware updates, is available on both the [Google Play](#) and in the [App Store](#). Before you orient yourself with your new hardware, download this app and walk through the setup.

Orientation

The headset can be worn both as a pair of over-ear headphones and as a personal, premium imaging device.

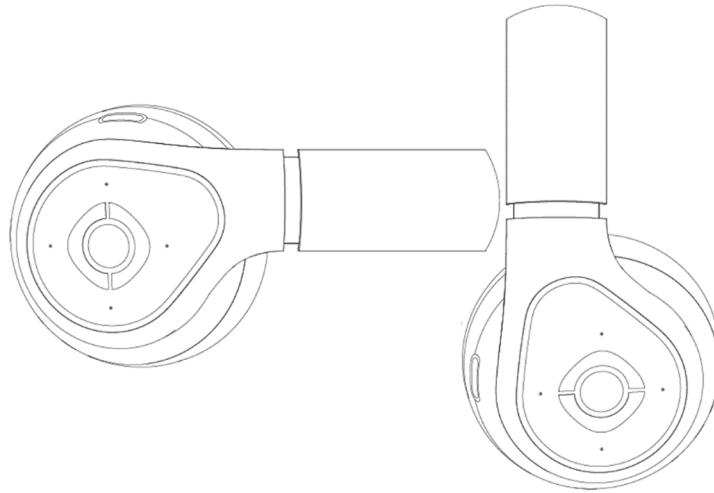


Figure 1: Video Mode (left) and Audio Mode (right)

Controls

Controls for the device are indicated by dimples on each ear can. In video mode, the right side controls volume (up and down buttons respectively), brightness (back) and a test alignment screen (front).

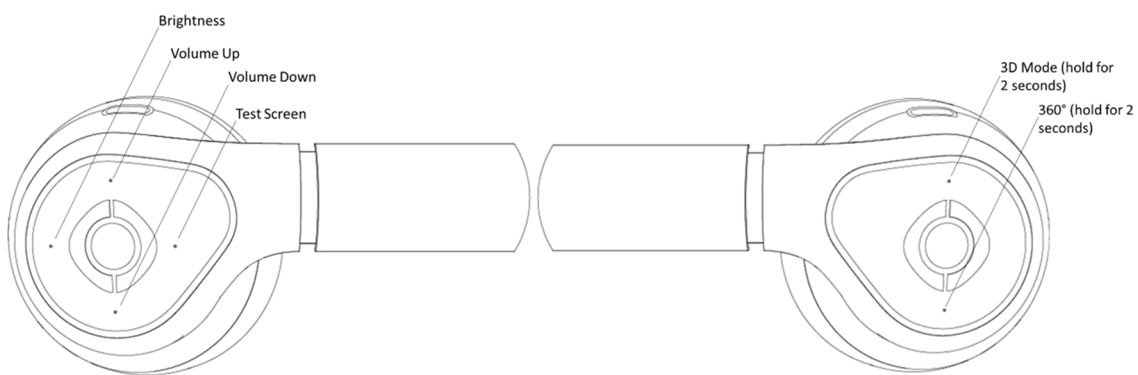


Figure 2: Button Layout

The left side controls half-frame or full-frame side by side 3D mode (top) and head tracking mode engagement for interactive or 360° media (bottom).

In audio mode through the 3.5mm jack, volume level can be controlled through the source device, or with an optional audio cable with in-line volume control.

Power on, Indicators and Bluetooth

Video mode can be activated by switching the power button to the center position. To run passively in audio mode, this button must be in the off position.

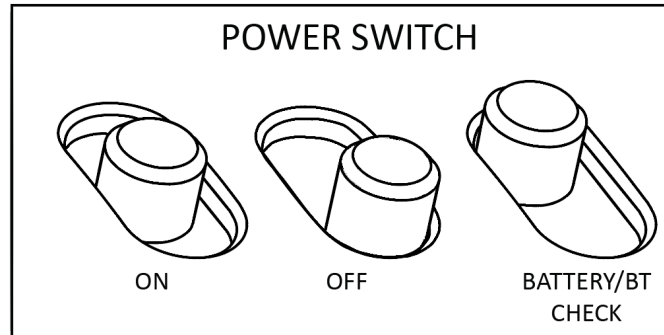


Figure 3: Power Switch Configurations

To check the battery level, hold the power switch temporarily to the top position and release it into the center position. The LED will indicate the level of charge. To turn on Bluetooth, hold the power switch in the top position for five seconds. The LED will flash blue to acknowledge that Bluetooth is on.

The LED indicator is located on the left ear can between the power button and the audio jack. Use it to check the battery level, Bluetooth status and general operating conditions.

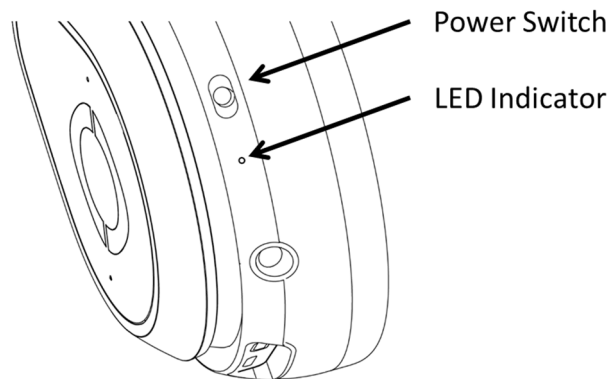


Figure 4: Power Switch and Indicator Layout

General Operation LED Indications	
LED Color	Status
Rainbow	Starting Up
Blue Blinking	Bluetooth On
Red	Firmware Fault

Table 1: General Operation LED Indications

Battery Check LED Indications	
LED Color	Power Remaining
Green	> 80%
Yellow	80% - 20%
Red	< 20%

Table 2: Battery Check LED Indications

Note that the default home screen will appear if no source content is streaming into the device. Turn off your device after use to conserve battery life.

Charging

Out of the box, your device will come with the battery partially charged; please fully charge it before initial use. The battery level and charging LED indicators will be the most accurate after the battery is completely discharged and recharged one time.

To charge the device, plug the included black micro USB cable into the micro USB port on the left ear can and the other end to a USB wall charger or PC. Note that some PCs will take longer to charge the unit than a wall charger, and some PCs will not charge the device if the PC is running on its own battery power.

It should take about 2 hours to fully charge the battery from a wall charger after an initial power cycle has run.

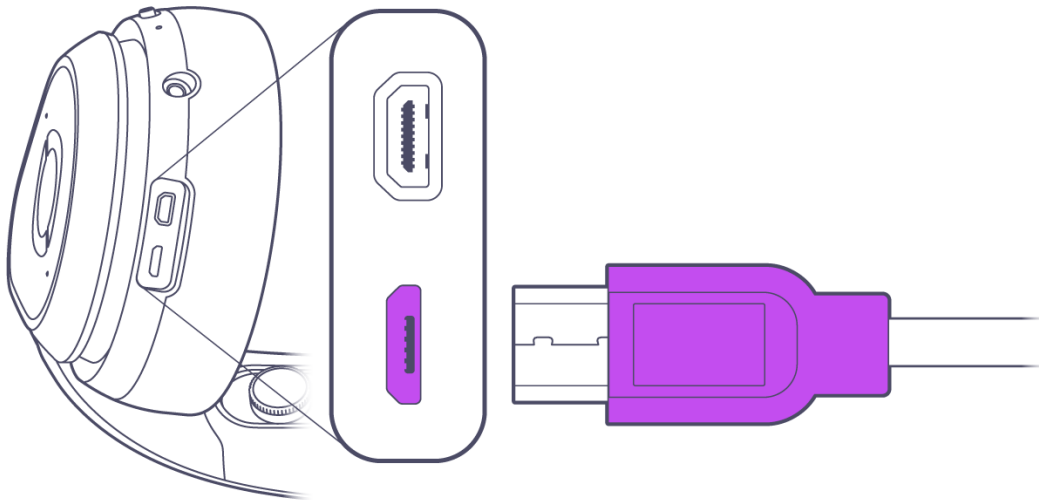


Figure 5: MicroUSB charging port location

Charging LED Indications	
LED Color/ State	Power Remaining
Slow Flashing Green	> 80%
Slow Flashing Yellow	80% - 20%
Slow Flashing Red	< 20%

Table 3: Charging LED Indications

Setup

Ergonomic, Nosepad and Optical Adjustments

Getting the right ergonomic and optical fit with the headset is very important to get the best visual experience. Here's a guide to walk you through the process of setting up your Avegant for best comfort and optical performance.

1. Leave the rubber nosepiece insert in place.
2. Turn on the headset.
3. With two hands, gently pull the ear cans apart and pull the optics toward you. Slip the device on your head so that the headphones cover your ears; the headband should be right in front of your face and the optics close to your eyes. If needed, adjust the arms of the headband so the lenses are not touching your eyes.

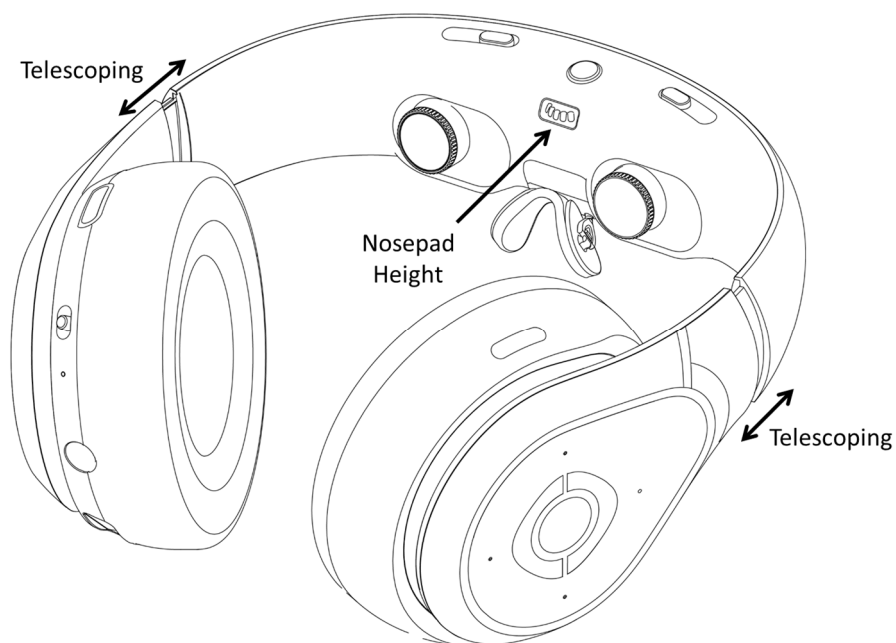


Figure 6: Ergonomic Adjustments

4. While holding the headset with your thumbs, adjust the IPD sliders and position the headband until you can see all four corners of test screen image. Supporting the headband with the edges of your thumbs, use thumb and forefinger to focus the lens by turning them clockwise or counter-clockwise.

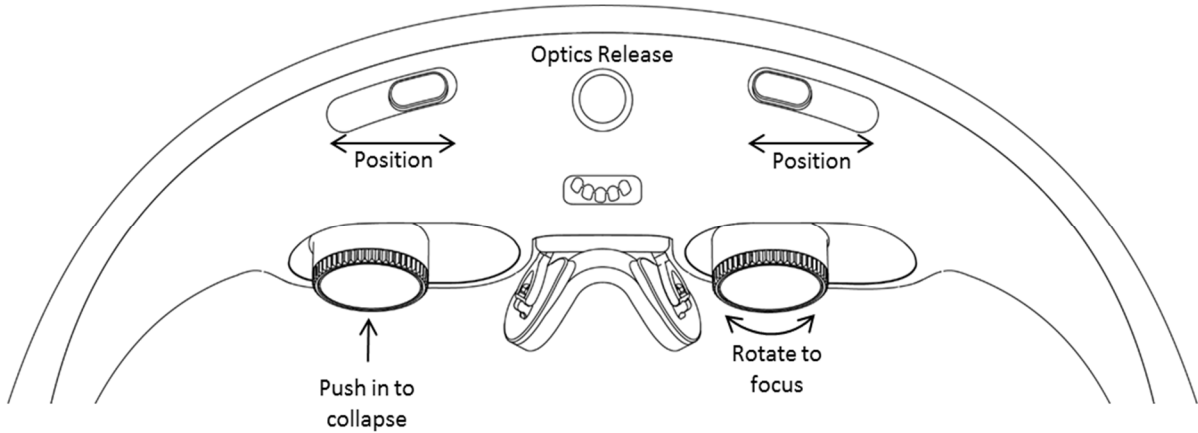
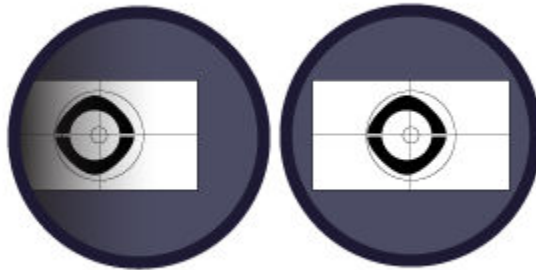
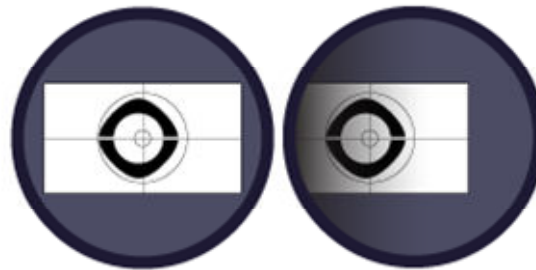


Figure 9: Optical Adjustment Points

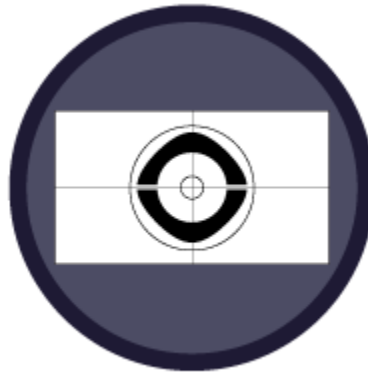
It may help to close one eye and adjust one eye at a time, here starting with the left side.



Then the right side.



A well-aligned display should look like this.



5. If the rubber nosepiece insert rests comfortably on your nose and you can see the entire display, you are done and ready to connect to your playback device for viewing. If not, remove the rubber insert and try the other nose pads to find the most comfortable one which keeps your eyes in the right position to see all four corners of the screen. You may need to adjust the nose pad up or down with the adjustment wheel between the lenses.

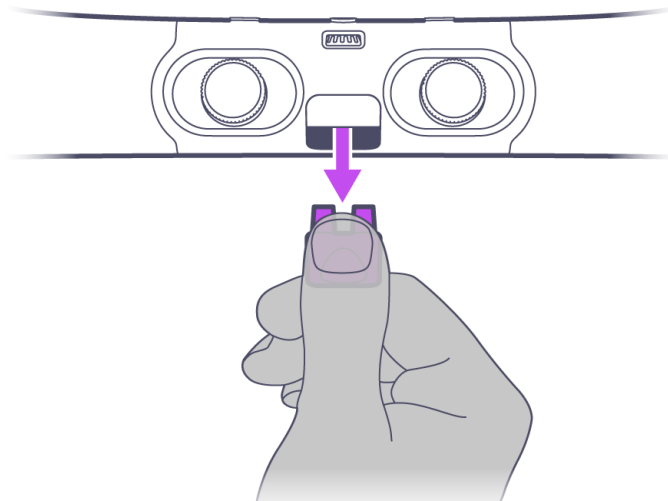


Figure 7: Removing the rubber nosepiece insert

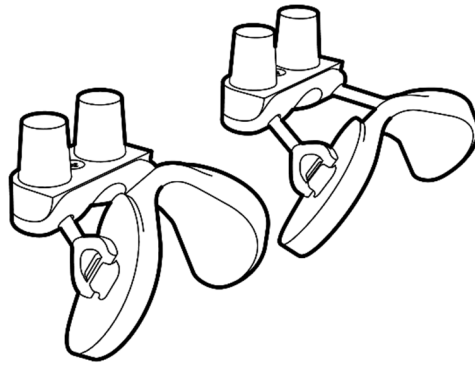


Figure 8: Nosepads

6. If the headphones do not stay on your ears, try refining the ergonomic adjustments or using the head strap. Attach the headstrap by inserting the side marked “L” into the top of the left headphone and the side marked “R” into the right one. Adjust the headstrap length and position on your head (it also swivels backward) until it holds the Glyph firmly on your head. The headstrap can also be used for long-term viewing comfort.

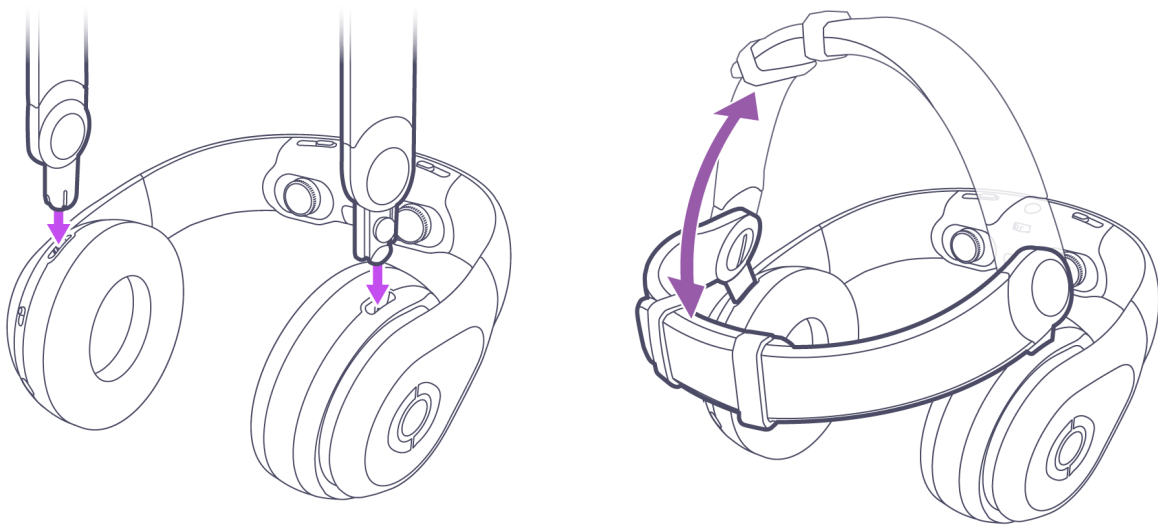


Figure 10: Using the headstrap

7. If you still cannot get a comfortable fit where you can see all four corners of the screen, please contact customer service.

In audio mode, the optics can be collapsed by pushing each lens into the body of the headband. Release the optics by pressing the center, circular button. Note that it is helpful to install the rubber nosepiece insert and lens cover before using audio mode.

Tips for Long-Term Comfort in Video Mode

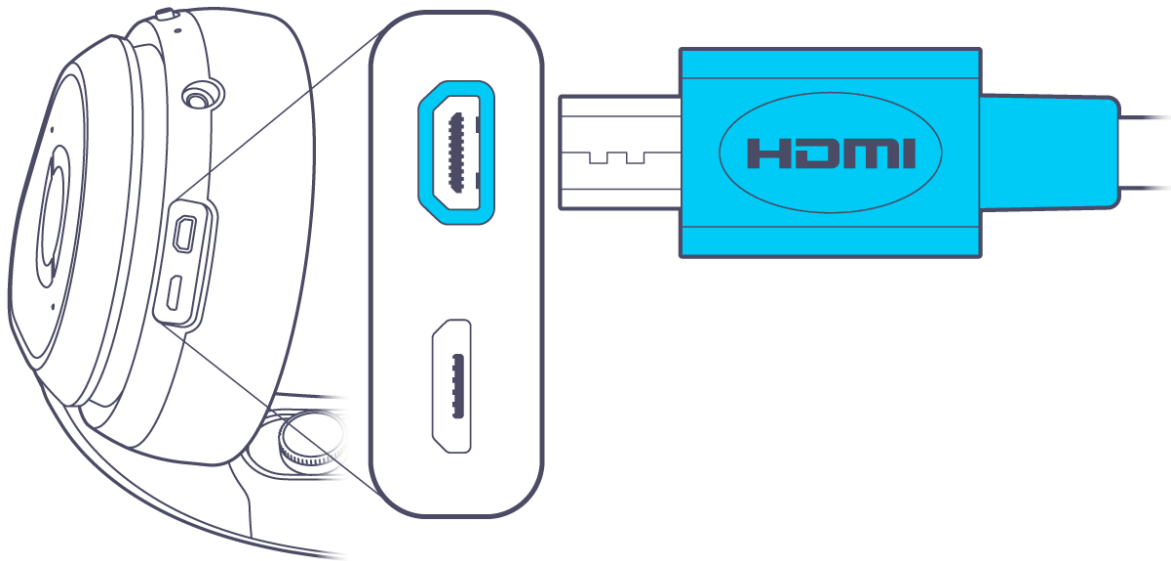
- Use of the head strap may increase long-term viewing comfort. If swiveled to the right position on the top back of the head, some people find they do not need to use a nose pad or can use the rubber nosepiece insert instead.
- When properly calibrated, ensure that you are looking straight forward and can see the image sharply from corner to corner.
- Do not use the device if you are tired, intoxicated, dizzy, nauseous or in a public place. See the *Health and Safety* section for further reading.

Connecting to Media

To connect to a device to watch video, use the included blue HDMI cable by plugging the small, micro HDMI end into the left ear can and the other HDMI end into your playback device.

Devices that support HDMI output signals of 720p can be used. Most devices that are designed to be connected to HDTVs and monitors typically will automatically switch output signals from 1080p to 720p depending upon what they are connected to. Please consult your device's user manual to be sure. Most mobile devices other than PCs will require an adapter. For most of the current iOS devices, an Apple Lightning to HDMI adapter is necessary for connection. For most Android smartphones that support HDMI out, an MHL to HDMI or SlimPort to HDMI adapter will be required. Please consult your device's user manual to be sure, or check the compatibility chart at avegant.com/set-up-support.

Turn on the headset and start playing your content. You might find it necessary to fine-tune your fit and optical adjustments during the first few minutes of use.



To use headphone audio mode, turn off the device and plug an audio cable into the 3.5mm jack between the power switch and the HDMI port. Make sure to retract the lenses and use the rubber nosepiece insert and lens cover. Volume can be controlled on the playback device or with an optional audio cable with in-line volume controls. Since the unit is off, you can use it as headphones without worrying about battery power. When you are ready to go back to video mode, re-insert the nose pad you use for video and extend the lenses using the lens release button at the top of the optical unit. Make sure that both lenses are extended.

Supported 3D Media

Two types of 3D media are currently supported on the device:

Half Frame Side-by-Side 3D

Use the top button on the left ear can to enable stereoscopic half-frame side by side 3D mode. This mode takes standard 1280 x 720 content and stretches it to fill both screens. No special source is required, however the content must be formatted to appear side-by-side when viewing through a standard screen.

Full Frame Side-by-Side 3D

Full frame stereoscopic 3D (or frame packed 3D) is also supported and automatically recognized by the hardware. This mode automatically handshakes and displays when the HDMI cable is plugged into a 3D source *and* 3D content is played; no special button press is required and the half-frame 3D button is disabled in this mode.

It is important to remember that a suitable 3D frame-packed source is required in order to properly receive stereoscopic content. Both the Playstation 4 and Windows 10-based PCs with recent NVidia GPUs can output frame-packed 3D; consult Avegant's forums or support for specific content sources.

Supported Uses of 360 (Headtracking) Mode

360 or headtracking mode can be used currently in the following ways:

- a) Control of the camera gimbal with FPV for DJI Inspire 1, Phantom 4, and Phantom 3 Pro and Advanced with optional HDMI output module. See Avegant.com for details.
- b) Most of the popular first-person shooter PC games which take a mouse input, such as Doom and Overwatch.

Headtracking must be currently be operated over USB. To enable the functionality, connect the headset to the source over USB and press the lower left button on the left ear can for two seconds to cycle through tracking modes.

Note that if headtracking does not enable through the button-press, you may need to update your firmware. Only firmware versions 1.14.1 and above have headtracking enabled.

Troubleshooting

Problem	Solution
I cannot produce a comfortable fit on my nose, what should I do?	A number of different nosepieces are included in the accessory box. Try them all and find one that fits best. The nosepieces have a magnet catch and can be removed by pushing downward in the opposite direction from the nosepiece adjustment knob.
If the device freezes up, how do I reset the HW?	Turn the device off then on by switching the power switch to the bottom position and flipping it back up to middle position.
I am plugged into an HDMI source but all I see is the default screen, what should I do?	Turn off the unit and unplug the HDMI cable. Check your HDMI source to make sure it's output is set to 720p. Most HDMI devices should automatically sense that the device is 720p and set itself accordingly, but in case it does not, you may want to check the display settings or turn the device off and then on again. Then plug the HDMI cable back in, turn the power on and check your screen.
Part of the screen seems to be cut off, or the corners of the screen seem to be cut off: What should I do?	The picture may not be converged properly. Make sure the device is fitted properly to your head. The nose bridge should fit and secure on the top bridge of your nose and the lenses should be very close to your eye so that your eyelashes almost touch. Turn on the test screen by pressing the test screen button on the front side of the right ear can, then using the IPD slider adjustments, converge the screen image so that you see one rectangular screen with square edges. Finally, closing one eye at a time turn the diopter focusing adjustments to see a sharp image.
I can see the video, but there is no sound; What should I do?	Check your volume control by pressing the top button on the left ear can a few times. If you still do not hear sound, turn

	the unit off, unplug the HDMI cable, turn it on, then plug the HDMI cable back in.
I am trying to view a side-by-side 3D video but I see two 2D side-by-side images on the screen; What should I do?	You need to turn on the 3D mode by pressing and holding the 3D mode button, which is the top button on the left ear can, for 2 seconds. You should see the change from two side by side images to one 3D image right away. Release the Mute button and press it again if the audio is muted.
The device is non-responsive and the LED is red. What should I do?	There is a device firmware error. You should shut the device off and check the battery level. If the LED is red, recharge the device or plug the device into a wall charger before turning the device back on.
The outer lens surface of the eyepieces is dirty and affecting picture quality; How should I clean them?	You can clean the lenses with any commercially-available lens cleaning cloth or tissue and lens cleaning solution. Press gently and use circular motions to clean the lenses. If the lenses retract into the body, you can extend them again by pressing the round button between the two IPD sliders.
I pressed the eyepieces and they have retracted into the body of the headband; How do I get them to pop out?	If the lenses retract into the body, you can extend them again by pressing the round button between the two IPD sliders.
The nosepiece has detached from the headband; How do I reattach it?	It is held into the device with strong magnets so you should be able to merely point the two towers into the receptacle and gently push it back into place
I cannot insert a 3.5mm audio cable into the 3.5mm headphone jack on the device. What is wrong?	The housing around the plug may be too large to fit into the recessed audio jack. You should find a 3.5mm audio cable which has a slim, cylindrical housing around one of the plugs.
I would like to use the headset as a pair of audio-only headphones. What do I do to convert it?	First remove the nosepiece by gently pushing it downward off of the optical unit. Store the nosepiece in a safe place where it will not get crushed or lost. With your fingernail or edge of your finger, gently push in the lenses until they click into the optical unit. Attach the lens cover to the inside of the headband covering the lenses, extend the headband to accommodate your head and slip the device on your head with the headband facing upward. Plug your audio cable into the recessed 3.5mm audio input and make sure the power is OFF. Plug the other end of the audio jack into your music playback device and adjust volume on that device. NOTE: The recessed audio input is designed for use with audio cables having a slim, cylindrical housing; Use of cables with other housings may prevent the jack from being fully inserted into the receptacle.
When using as a set of audio-only headphones, the volume buttons on the ear cans do not work.	In audio-only headphone mode, the power is off so volume must be controlled from the playback device or with an optional audio cable with in-line volume controls.
My unit was accidentally splashed with water; What should I do?	Although the device is not guaranteed to be splash proof, you may be able to keep it working by wiping the unit off with a towel and leaving it in a warm, dry area for several hours.
I think my battery is dead; How do I check battery level?	Push the power button to the upper (top) position for a second and the LED will show Red (20% or lower battery left), Yellow (20%-80% battery left) or Green (80% or more battery left).
My unit beeps and shows a red screen or a screen with a low battery icon; What does it mean?	It means your battery is running low. Your device will shut down automatically when the battery gets very low.

<p>How do I find my unit's firmware version?</p>	<p>The easiest way to do it is to download the Avegant application for iOS or Android and connect it to your device. Under the Settings tab, you can check the firmware version and firmware updates.</p> <p>On Mac, go to About This Mac>Overview>System Report>Hardware>USB>USB 3.0 Bus. The headset will show up as USB device as GLYPH____ (last 4 digits of serial number)(product-__-__-_____)</p> <p>On PC, go to Control Panel or Windows Menu> Devices> Connected Devices>GLYPH The unit will show up as USB device as GLYPH____ (last 4 digits of serial number)(product-__-__-_____)</p>
<p>I cannot see a brightly lit display in one or two of the lenses and cannot converge or focus them.</p>	<p>Check to make sure that the lenses are extended by pressing the lens release button located above the nose pad adjustment knob.</p>

Health and Safety Guide

This health and safety guide contains important safety and handling information for your Avegant Founders Edition. Please read all safety information below before using your Avegant. Read and follow all setup and operating instructions to become familiar with the features of the product. For more information and additional support, please visit the main www.avegant.com support page.

Failure to follow safety instructions preceded by the word “Warning” could result in serious physical injury.

Failure to follow safety instructions preceded by “Caution” or “Notice” could result in minor to moderate injury or damage to equipment or other property.

General Health and Safety Information

- Extended use of your Avegant Founders Edition may result in losing track of your immediate surroundings or becoming used to the non-standard physical “rules” of a virtual environment, causing discomfort, disorientation or loss of balance when you take it off. To avoid risk of injury from falling or tripping:
 - Be sure to begin your enjoyment of the Avegant in small stages, building up to longer continued use.
 - Use only while sitting or while standing in a clear area free of obstacles
 - Do not use while intoxicated
 - The Avegant Founders Edition is NOT a toy and should not be used by children 13 years of age or younger. Young children are at an increased health and safety risk. Adults should monitor children (age 14 and older) who are using or have used the Avegant for any of the symptoms described below and should limit the time children spend using the Avegant and ensure that they take breaks during use.
- Warning. Some people (about 1 in 4,000) may have severe dizziness, seizures, epileptic seizures or blackouts triggered by light flashes or patterns. This may occur while they are watching TV, playing video games or experiencing a personal display technology, even if they have never had a seizure or blackout before or have no history of seizures or epilepsy. Such seizures are more common in children and young people under the age of 20. Anyone who has had a seizure, loss of awareness or other symptom linked to an epileptic condition should consult with a doctor before using the Avegant Founder’s Edition.
- Prop 65 Warning. This product contains chemicals known to the State of California to cause cancer and birth defects or other reproductive harm. (California law requires this warning to be given to customers in the State of California.)

Specific Warnings and Precautions

“Video mode” shall herein refer to the Avegant Founder’s Edition as operating with the headband over the user’s eyes. “Audio mode” shall herein refer to the Avegant Founder’s Edition as operating with the headband over the crown of the user’s head with no obstruction to the user’s vision.

- Warning. Use only in a safe environment. In Video mode, the Avegant Founder’s Edition produces a personal display experience that distracts you from and blocks your view of your actual surroundings. For the safest experience, always remain seated when using the Avegant Founder’s Edition in Video mode. Take special care to ensure that you are not near other people, objects, stairs, balconies, windows, furniture or other items that you can bump into or knock down when using – or immediately after using – the Avegant Founder’s Edition in Video mode. Do not handle sharp or otherwise dangerous objects while using the Avegant Founder’s Edition in Video mode. Never wear the Avegant Founder’s edition in Audio mode or Video mode in situations that require attention, such as walking, bicycling or operating a motor vehicle or heavy machinery.
- Warning. Listening to sound at high volumes can cause irreparable damage to your hearing. Background noise, as well as continued exposure to high volume levels, can make sounds seem quieter than they actually are. Due to the immersive nature of the image created by the Avegant Founder’s Edition, do not use the device with the sound at high volume so that you can maintain awareness of your surroundings and reduce the risk of hearing damage.

- Warning. Stop using the Avegant Founder's Edition if it seems to be hot. Prolonged contact with an overheated device can cause burns
- Warning. The Avegant Founder's Edition can emit radio waves that can affect the operation of nearby electronics, including cardiac pacemakers. If you have a pacemaker or other implanted medical device, do not use the Avegant Founder's Edition without first consulting your doctor or the manufacturer of your medical device.
- Make sure the Avegant Founder's Edition is level and secured comfortably on your head and that you see a single, clear image.
- Ensure that the optics are properly and squarely aligned in front of the user's eyes before use and that the image is in focus. Refer to the quick start guide for proper fitting.
- Caution. Ensure that the cables utilized while operating the Avegant Founder's Edition are carefully routed to and from the source content such that they do not become tangled and cause injury to the user or damage to the device.
- Caution. Do not use the Avegant Founder's Edition when you are tired, need sleep, are under the influence of alcohol or drugs, are hung-over, have digestive problems, are under emotional stress or anxiety or when suffering from cold, flu, headaches, migraines or earaches, as this can increase your susceptibility to adverse symptoms.
- Caution. If you are using the Avegant Founder's Edition as a passenger in a motor vehicle and feel dizziness or nausea, discontinue use.
- Caution. Take at least a 10 to 15 minute break every 30 minutes, even if you don't think you need it. Each person is different, so take more frequent and longer breaks if you feel discomfort. You should decide what works best.
- Ease into the use of the Avegant Founder's Edition to allow your body to adjust; use for only a few minutes at a time at first and only increase the amount of time using the Avegant Founder's Edition gradually as you grow accustomed to a personal display. Looking around the image when first entering a personal display environment can help you adjust to any small differences between your real world movements and the resulting virtual experience.
- The Avegant Founder's Edition can be affected by magnetic interference created by items, such as computers, TVs or electric cables. Avoid using the Avegant Founder's Edition in areas affected by magnetic interference.

Extended Use Precautions

- Warning. Immediately discontinue use if anyone using the Avegant Founder's Edition experiences any of the following symptoms: seizures; loss of awareness; eye strain; eye or muscle twitching; involuntary movements; altered, blurred or double vision or other visual abnormalities; dizziness; disorientation; impaired balance; impaired hand-eye coordination; excessive sweating; increased salivation; nausea; lightheadedness; discomfort or pain in the head or eyes; drowsiness; fatigue; or any symptoms similar to motion sickness.
- Just as with the symptoms people can experience after they disembark a cruise ship, symptoms of immersive, personal media exposure can persist and become more apparent hours after use. These post-use symptoms can include the symptoms above as well as excessive drowsiness and decreased ability to multi-task. These symptoms may put you at an increased risk of injury when engaging in normal activities in the real world.
- Do not drive, operate machinery or engage in other visually or physically demanding activities that have potentially serious consequences (i.e., activities in which experiencing any symptoms could lead to death, personal injury or damage to property), or other activities that require unimpaired balance and hand-eye coordination (such as playing sports or riding a bicycle, etc.) until you have fully recovered from any symptoms.
- Do not use the Avegant Founder's Edition until all symptoms have completely subsided for several hours. Make sure you have a properly configured Avegant Founder's Edition before resuming use.
- Be mindful of the type of content that you were using prior to the onset of any symptoms because you may be more prone to symptoms based on the content being used.
- Consult with a doctor if you have serious and/or persistent symptoms.

Multicopter Use

- **Warning.** While the Avegant Founder's Edition is designed and intended for use as a way to experience the aerial views taken by a camera mounted to a multicopter (a/k/a "drone," "Unmanned Aerial Vehicle" or "UAV"), it is not meant for use by, nor should it be used by, a single user who is simultaneously operating the multicopter. Doing so is both unsafe and a violation of FAA regulations. Please read and become familiar with all instructions and safety guidelines for your multicopter before using. Using your Avegant Founder's Edition with a multicopter in any way that is unsafe, illegal or in violation of state, federal, or local laws or regulations is prohibited.

Battery and Power Adapter Information and Care

- **Warning.** This product contains a lithium ion polymer battery. To reduce the risk of fire, electric shock or burn related injuries, the batteries must be handled properly.
- Do not attempt to remove the battery, as you may damage the device.
- Charge your device with any USB-compatible charger. Charger plug type may vary.
- The battery can be charged and discharged hundreds of times, but it will eventually wear out. When the operating times are noticeably shorter than normal, contact support to arrange replacement or repair.
- To reduce risk of fire or burns, do not disassemble, crush, puncture, short external contacts or circuits, expose to temperature above 60°C (140°F) or dispose of in fire or water. Recycle or dispose of used batteries according to the local regulations or reference guide supplied with your product.
- Charging temperature range is regulated between 0°/32°F and 45°C/113°F. Do not charge the battery out of recommended temperature range. Charging out of recommended range might cause heat generation or serious damage to the battery, as well as causing the deterioration of its characteristics and cycle life.
- Always unplug the charger from the wall socket after the Avegant Founder's Edition is fully charged to save unnecessary power consumption of the charger.
- Do not damage the power cord by bending, twisting or heating. Do not use the plug if it is loose as it may cause electric shock or fire.
- Do not place any heavy items on the power cord. Do not allow the power cord to be crimped as it may cause electric shock or fire.
- Unplug the power cord and power down your Avegant Founder's Edition prior to cleaning, and clean only with a dry cloth. When using the power plug, ensure that it's firmly connected. If not, it may cause excessive heat or fire. If you put your Avegant Founder's Edition in a pocket or bag without covering the receptacle of the device, metallic articles (such as a coin, paperclip or pen) may short-circuit the device. Always cover the receptacle when not in use.
- Do not use or leave the battery under the blazing sun, like in a sealed vehicle. The battery may generate heat, smoke or flame and may also deteriorate in characteristic and cycle life.
- The battery pack has a protection circuit to avoid danger. Do not the Avegant Founder's Edition near places that generate static electricity of more than 100V, which gives damage to the protection circuit. If the protection circuit were broken, the battery would generate smoke, rupture or flame.
- If the skin or cloth is smeared with liquid from the battery, wash with fresh water. It may cause the skin inflammation.
- Do not handle the Avegant Founder's Edition with wet hands or otherwise expose it or the power adapter to water or moisture. It may cause an electric shock or seriously damage the device.
- The Avegant Founder's Edition is intended for charging indoors only.
- Do not use the Avegant Founder's Edition if any cable is damaged or any wires are exposed.
- Keep the Avegant Founder's Edition and the power adapter away from open flames and other heat sources.

Care and Maintenance

The Avegant Founder's Edition is a product of superior design and craftsmanship and should be treated with care. The suggestions below will help you fulfill any warranty obligations and allow you to enjoy this product for many years.

- **Warning.** If the mobile device does get wet, do not accelerate drying with the use of an oven, microwave or dryer, because this may damage the device and could cause a fire or explosion. Do not use the mobile device in very wet conditions. Doing so may cause an electric shock to you or damage to the mobile device. Do not expose the straps to very wet conditions. Wet straps can cause skin irritations. Dry the straps first. If you experience skin irritation when wearing the Avegant Founder's Edition, stop wearing the device and consult a physician.
- **Notice.** Do not leave the Avegant Founder's Edition in direct sunlight. Exposure to direct sunlight can damage the Avegant Founder's Edition.
- Keep your Avegant Founder's Edition away from exposure to liquids of any kind. Precipitation, humidity and liquids contain minerals that will corrode electronic circuits.
- Avoid temperatures below -10°C / 14°F or above 40°C / 104°F.
- Do not expose your mobile device to dust, dirt or sand.
- Do not use harsh chemicals, cleaning solvents or strong detergents to clean the Avegant Founder's Edition.
- Although your Avegant Founder's Edition is quite sturdy, it is a complex piece of equipment and can be broken. Avoid dropping, hitting, bending or sitting on it. Rough handling can break internal circuit boards.
- Do not paint the Avegant Founder's Edition. Paint can clog the device's moving parts or ventilation openings and prevent proper operation.
- Ensure that the head strap is kept clean.

Any changes or modifications to your Avegant Founder's Edition not expressly approved by Avegant could void your warranty for this equipment and void your authority to operate this equipment. Only use approved cables and chargers. The use of any unauthorized accessories may be dangerous and void the Avegant Founder's Edition warranty if said accessories cause damage or a defect to the device.

The Avegant Founder's Edition and any connected device should only be used with firmware versions that have been approved for use by the device manufacturer.

Regulatory Statements

FCC

Warning: Changes or modifications to this unit not expressly approved by the party responsible for compliance could void the user's authority to operate the equipment.

This equipment has been tested and found to comply with the limits for a Class B digital device, pursuant to Part 15 of the FCC Rules. The inbox shielded USB and HDMI cable shall be used to comply with FCC Class B requirements. These limits are designed to provide reasonable protection against harmful interference in a residential installation. This equipment generates, uses and can radiate radio frequency energy and, if not installed and used in accordance with the instructions, may cause harmful interference to radio communications.

However, there is no guarantee that interference will not occur in a particular installation. If this equipment does cause harmful interference to radio or television reception, which can be determined by turning the equipment off and on, the user is encouraged to try to correct the interference by one or more of the following measures:

- Reorient or relocate the receiving antenna.
- Increase the separation between the equipment and receiver.
- Connect the equipment into an outlet on a circuit different from that to which the receiver is connected.
- Consult the dealer or an experienced radio/TV technician for help.

This device complies with Part 15 of the FCC Rules. Operation is subject to the following two conditions: (1) this device may not cause harmful interference and (2) this device must accept any interference received, including interference that may cause undesired operation.

IC:

This device complies with Industry Canada license-exempt RSS standard(s). Operation is subject to the following two conditions: (1) this device may not cause interference, and (2) this device must accept any interference, including interference that may cause undesired operation of the device.

Le présent appareil est conforme aux CNR d'Industrie Canada applicables aux appareils radio exempts de licence.

L'exploitation est autorisée aux deux conditions suivantes : (1) l'appareil ne doit pas produire de brouillage, et (2) l'utilisateur de l'appareil doit accepter tout brouillage radioélectrique subi, même si le brouillage est susceptible d'en compromettre le fonctionnement.

CAN ICES-3 (B)/NMB-3(B)

CE

This device is in compliance with the essential requirements and other relevant provisions of directive 1995/5/EC

The symbol above means that according to local laws and regulations your product should be disposed of separately from household waste. When this product reaches its end of life, take it to a collection point designated by local authorities. The separate collection and recycling of your product at the time of disposal will help conserve natural resources and ensure that it is recycled in a manner that protects human health and the environment. For more information about where you can drop off your waste equipment for recycling, please contact your local city office, your household waste disposal service, or the shop where you purchased the product.

In the event the device is not working normally due to electrostatic shock, please reset the device by turning off the power and turning it back on.

Intellectual Property

All intellectual Property, as defined below, owned by or which is otherwise the property of Avegant or its respective suppliers relating to the Avegant Founder's Edition, including but not limited to, accessories, parts or software relating thereto (the "device"), is proprietary to Avegant and protected under federal laws, state laws and international treaty provisions.

Intellectual Property includes, but is not limited to, inventions (patentable or unpatentable,) patents, trade secrets, copyrights, software, computer programs, and related documentation and other works of authorship. You may not infringe or otherwise violate the rights secured by the Intellectual Property. Moreover, you agree that you will not (and will not attempt to) modify, prepare derivative works of, reverse engineer, decompile, disassemble, or otherwise attempt to create source code from the software. No title to or ownership in the Intellectual Property is transferred to you. All applicable rights of the Intellectual Property shall remain with Avegant and its suppliers

Warranty Information

Avegant Founder's Edition

Your Products are warranted against defects in materials and workmanship for a period of one (1) year from the date of original retail purchase (if purchased at a retailer) or one (1) year from the date of shipment (if purchased on the Service) ("Warranty Period") when used in accordance with the applicable usage documentation. If a defect arises during the Warranty Period, Avegant will, at its option, (1) repair the affected Product at no charge using new parts or parts that are equivalent to new in performance and reliability, (2) exchange the affected Product with a functionally equivalent Product that is new or formed from new and/or previously used parts that are equivalent to new in performance and reliability or, with your consent, a Product that is at least functionally equivalent to the Product it replaces; or (3) refund the original purchase price for the affected Product. This warranty excludes normal depletion of consumable parts unless failure has occurred due to a defect in materials or workmanship, and damage resulting from abuse, accident, modifications, unauthorized repairs, or other causes that are not defects in materials and workmanship. No other person is authorized to modify this limited warranty.

Some states and countries do not allow limitations on how long such warranties, conditions, and/or implied terms may last, so the limitation described above may not apply to you. This warranty is offered in addition to rights and remedies conveyed by consumer protection laws and regulations that cannot be statutorily waived, and does not affect your applicable statutory rights.

Follow these steps to obtain a replacement for a Product purchased from our Service in accordance with this warranty policy:

- Contact our Support team to initiate the return process and obtain a Return Material Authorization (RMA) number and a pre-paid shipping label.
- Pack the Product in its original packaging and mail it in a sturdy box to ensure the product will be returned without damage. Be sure to include the RMA number in the packaging.
- Once the Product is received and verified, you will receive a confirmation email with the details of your replacement.

